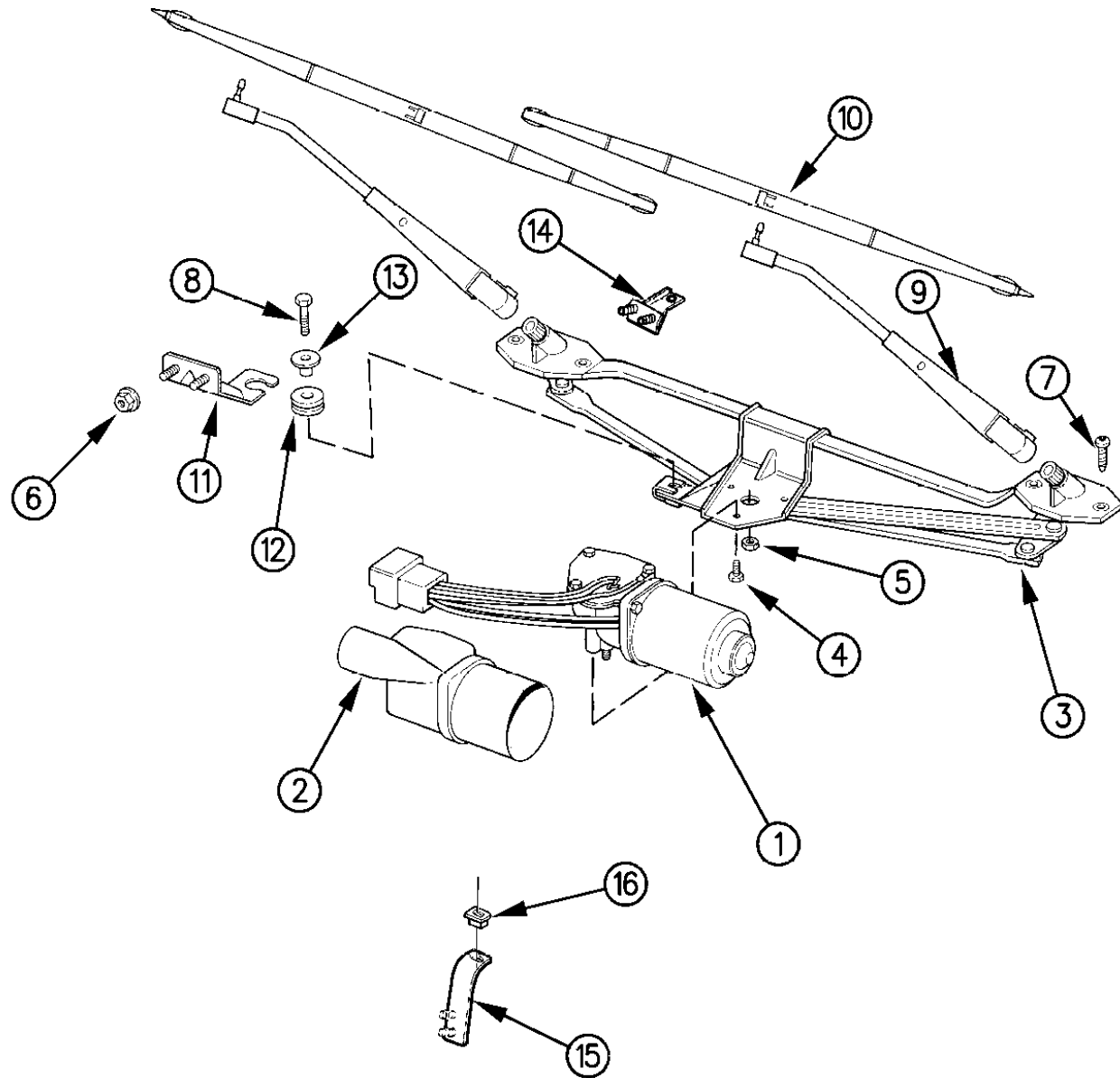


WINDSHIELD WIPER SYSTEM CHEROKEE, BRIARWOOD, COMANCHE
Figure 23D-700

91J72 700A



| ITEM | PART NUMBER | QTY | BODY | MODEL | DESCRIPTION |
|------|-------------|-----|------|-------|--------------------------------|
| 1 | 4723 460 | 1 | | | MOTOR, Wiper |
| | | 1 | | | MOTOR w/Crank *** |
| | 5515 4611 | | | | |
| | 5600 5834 | | | | 1992-93 (RHD) |
| 2 | 5600 0901 | 1 | | | COVER, Motor |
| 3 | 8350 0660 | 1 | | | LINKAGE, Wiper |
| 4 | | 3 | | | BOLT (DNS) |
| 5 | 1150 3750 | 1 | | | NUT |
| 6 | 3420 1358 | 2 | | | NUT |
| 7 | 3420 1496 | 4 | | | SCREW |
| 8 | 3420 1686 | 1 | | | BOLT |
| 9 | 5600 1132 | 2 | | | ARM, Wiper |
| | 5515 4596 | 2 | | RHD | 1992-93 |
| 10 | 5600 1133 | 2 | | | BLADE, w/Refill |
| 11 | 5515 4526 | 1 | | | BRACKET, w/Grommet Module Mtg. |
| 12 | 5500 5397 | 1 | | | GROMMET |
| 13 | 5500 5398 | 1 | | | SPACER |
| 14 | 5502 7816 | 1 | | RHD | BRACKET, Motor Mtg. |
| 15 | 5534 4629 | 1 | | RHD | BRACKET, Cowl Ext. |
| 16 | 3420 1872 | 1 | | | NUT, Plastic |

MODEL CODES:

61=Pickup-6 Ft Box 74=4 Door Wagon T=2WD
 62=Pickup-7 Ft Box 77=Open Body 93" Wheelbase J,N,U=4WD
 72=2 Door Wagon 78=Open Body 103" Wheelbase

BODY STYLES:

MJ=Comanche Pickup ZJ=Grand Cherokee/Grand Wagoneer KDX VEHICLES
 SJ=Grand Wagoneer M1=Comanche
 XJ=Cherokee, Briarwood X1=Cherokee, Briarwood
 YJ=Wrangler Y1=Wrangler

AR = Use as Required - = Non Illustrated Part P.A.R. = Paint as Required