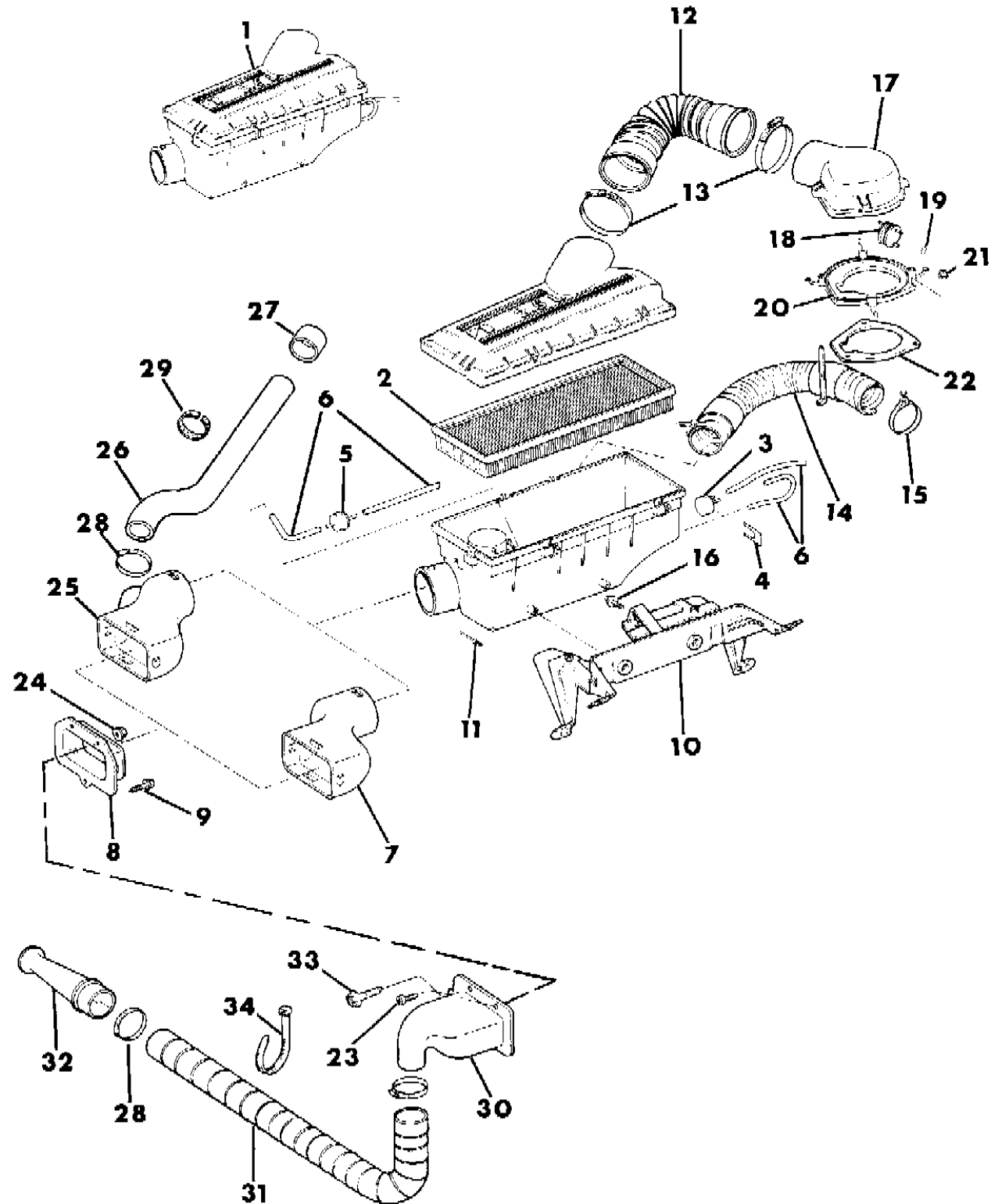


**AIR CLEANER 2.5L EFI ENGINE WRANGLER, YJ**  
**Figure 14-100**

8 J14 100



ITEM	PART NUMBER	QTY	BODY	MODEL	DESCRIPTION
1	5300 2174	1			AIR CLEANER
2	5300 2184	1			ELEMENT, Air Cleaner
3	5300 2951	1			SWITCH, Thermal Vacuum
4	J400 6334	1			CLIP
5	J323 5938	1			VALVE, Reverse Delay
6	J812 5995	AR			HOSE, 3/16" I.D. - Bulk
7	5300 2185	1			DUCT, Fresh Air - U.S. and Canada
8	J546 3866	1			ADAPTER, Air Intake
9	J942 1073	1			SCREW
10	5300 2178	1			BRACKET, Air Cleaner Mounting
11	3420 1597	4			RIVET
12	5300 4548	1			TUBE, Air Intake
13	J400 7385	AR			CLAMP, Hose
14	5300 4590	1			TUBE, Hot Air
15	J320 3078	1			CLAMP, Hose
16	3420 1790	1			SCREW
17	5300 2179	1			ADAPTER, Air Intake
18	5300 3938	1			SENSOR, Intake Air Temperature
19	J400 1714	2			NUT
20	5300 2851	1			ADAPTER, Air Intake
21	3420 1446	3			NUT
22	3300 0244	1			GASKET, Adapter
23	S150 1638	2			SCREW
24	1150 2702	2			NUT
25	5300 5328	1			ADAPTER, Air Duct - ECE
26	5300 5327	1			HOSE, Resonator - ECE
27	3300 4032	1			PLUG - ECE
28	J320 3079	1			CLAMP - ECE
29	5300 5392	1			STRAP, Tie - ECE
30	5300 5325	1			DUCT, Fresh Air - ECE
31	5300 5326	1			HOSE, Inlet - ECE
32	3300 4033	1			HORN, Air Inlet - ECE
33	3420 2718	1			SCREW - ECE
34	J323 0270	3			STRAP, Tie - ECE

**MODEL CODES:**

15 = Grand Wagoneer 4 Dr.	65 = Comanche 4WD-7 Ft. Box	77 = Cherokee 4WD-2 Dr.
25 = J-10 Pickup-119" W.B.	66 = Comanche 2WD-7 Ft. Box	78 = Cherokee 4WD-4 Dr.
26 = J-10 Pickup-131" W.B.	73 = Cherokee 2WD-2 Dr.	79 = Cherokee 4WD-4 Dr.-Com
27 = J-20 Pickup-131" W.B.	74 = Cherokee 2WD-4 Dr.	81 = Wrangler-93" W.B.
63 = Comanche 4WD-6 Ft. Box	75 = Wagoneer 4WD-4 Dr.	82 = Wrangler-103" W.B.-Exp.
64 = Comanche 2WD-6 Ft. Box		

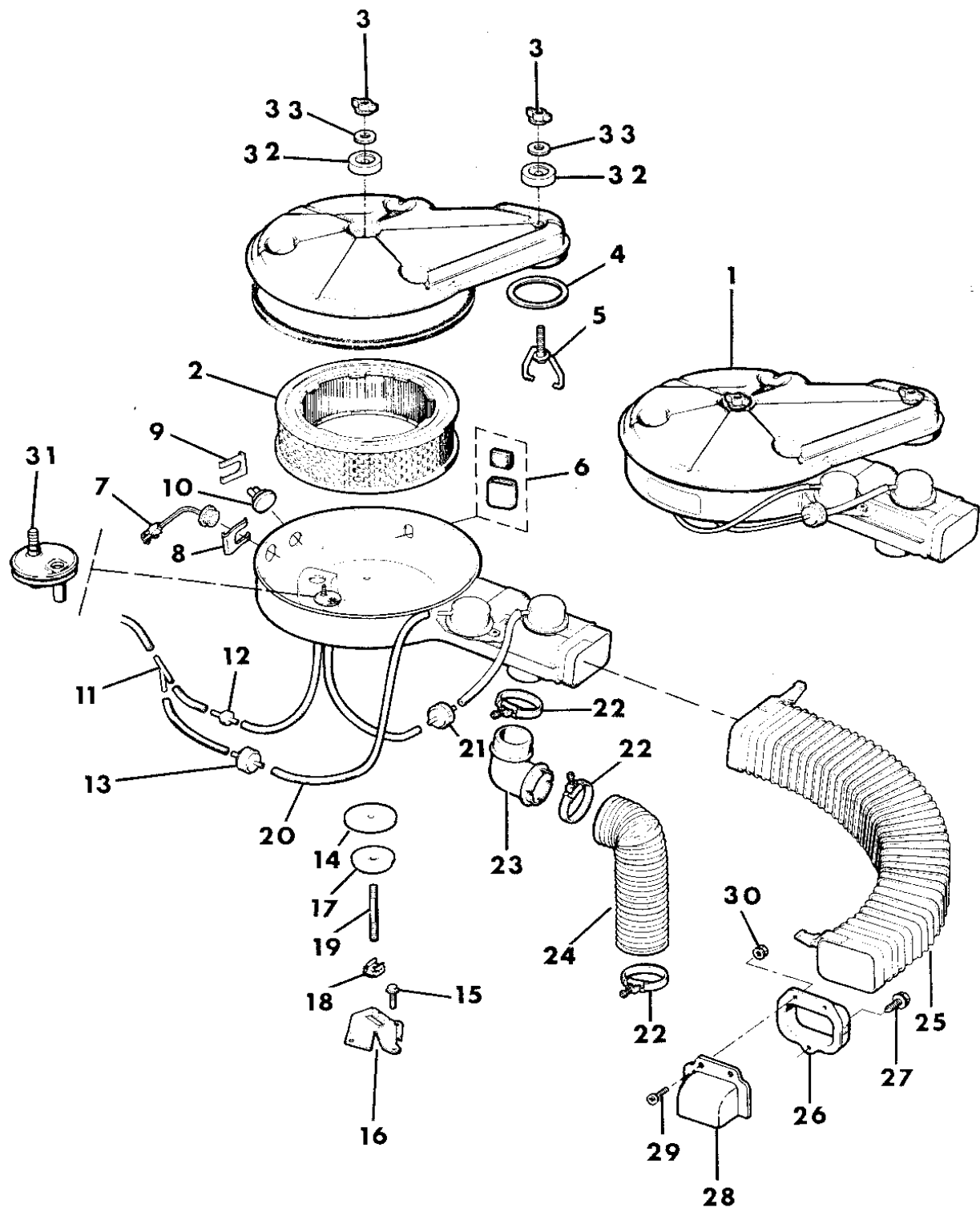
**BODY STYLES:**

MJ = Comanche Pickup  
 SJ = Grand Wagoneer Wgn., J-10 & J-20 Pickups  
 XJ = Cherokee, Wagoneer Limited  
 YJ = Wrangler

AR = Use as Required - = Non Illustrated Part P.A.R. = Paint as Required

**AIR CLEANER 4.2L ENGINE WRANGLER, YJ**  
**Figure 14-500**

8J14 500



ITEM	PART NUMBER	QTY	BODY	MODEL	DESCRIPTION
1					AIR CLEANER
	3300 2082	1			U.S. and Canada
	J805 1832	1			Export NRM
	J805 1832	1			Venezuela KDX
2	J899 1386	1			FILTER, Air Cleaner
3	J315 1735	2			NUT, Wing
4	3300 1475	1			GASKET, Air Cleaner to Carburetor
5	J323 1263	1			BAIL, Air Cleaner Retaining
6	J323 6695	1			FILTER PACKAGE
7	3300 0630	1			SWITCH, Thermal Electric
8	J400 6784	1			CLIP, Retaining
9	J400 6334	1			CLIP, Retaining
10	J323 5329	1			SWITCH, Thermal Vacuum
11	8310 0020	1			CONNECTOR
12	J322 8426	1			VALVE, Check
13	J323 7141	1			VALVE, Delay - Yellow
14	J323 4485	1			GASKET, Air Cleaner Mounting to Bracket
15	J400 5731	3			SCREW
16	J323 9648	1			BRACKET, Mounting
17	J324 1389	1			SPACER
18	J400 1946	1			NUT, Cage
19	J400 7607	1			STUD
20	J812 5812	AR			HOSE, Bulk
21					VALVE, Reverse Delay
	J323 5938	1			Gray - U.S. and Canada
	J323 7141	1			Yellow - NRM
22	J320 3079	3			CLAMP, Hose
23	J323 2439	1			ELBOW
24	3300 3391	1			TUBE, Hot Air
25	J535 7889	1			TUBE, Air Intake
26	J546 3866	1			ADAPTER, Air Intake
27	J942 1073	1			SCREW
28	5300 5120	1			DEFLECTOR, Water
29	3420 2344	2			SCREW
30	1150 2702	2			NUT
31	5300 2950	1			SENSOR, Intake Air Temperature
32	3300 1941	2			GROMMET

**MODEL CODES:**

15 = Grand Wagoneer 4 Dr.	65 = Comanche 4WD-7 Ft. Box	77 = Cherokee 4WD-2 Dr.
25 = J-10 Pickup-119" W.B.	66 = Comanche 2WD-7 Ft. Box	78 = Cherokee 4WD-4 Dr.
26 = J-10 Pickup-131" W.B.	73 = Cherokee 2WD-2 Dr.	79 = Cherokee 4WD-4 Dr.-Com
27 = J-20 Pickup-131" W.B.	74 = Cherokee 2WD-4 Dr.	81 = Wrangler-93" W.B.
63 = Comanche 4WD-6 Ft. Box	75 = Wagoneer 4WD-4 Dr.	82 = Wrangler-103" W.B.-Exp.
64 = Comanche 2WD-6 Ft. Box		

**BODY STYLES:**

MJ = Comanche Pickup  
 SJ = Grand Wagoneer Wgn., J-10 & J-20 Pickups  
 XJ = Cherokee, Wagoneer Limited  
 YJ = Wrangler

AR = Use as Required - = Non Illustrated Part P.A.R. = Paint as Required