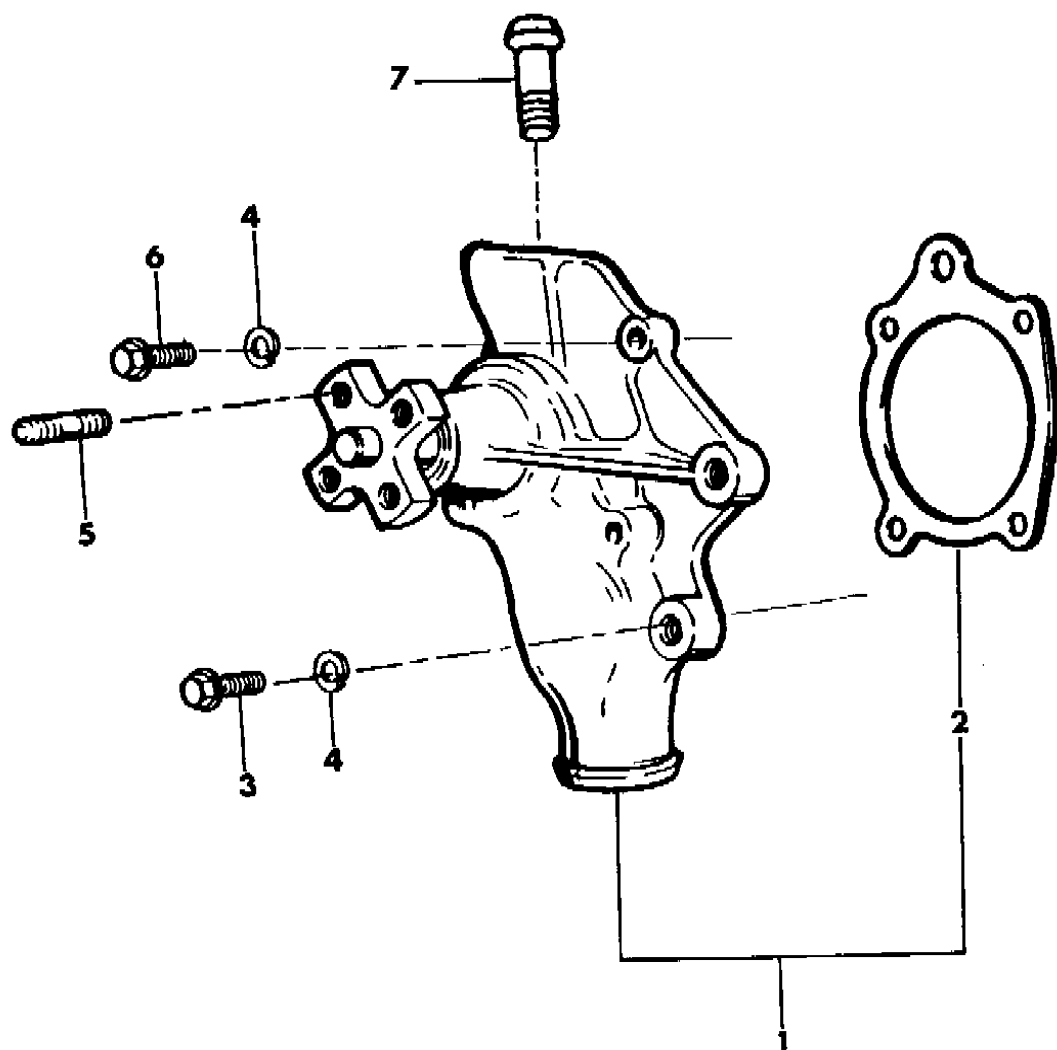


WATER PUMP WRANGLER, YJ
Figure 7-2200

8 J072200



ITEM	PART NUMBER	QTY	BODY	MODEL	DESCRIPTION
1					PUMP PACKAGE, Coolant
	JR77 5046	1			2.5L Engine Remanufactured
	8350 2957	1			Export 4.2L Engine - w/o Serpentine Belt Drive
	JR77 5046	1			Remanufactured
	8350 2957	1			Export 4.2L Engine - Serpentine Belt Drive
	JR77 5047	1			Remanufactured
	8350 2938	1			Export
2	J317 3204	1			GASKET
3	J400 6908	2			BOLT
4	J012 0214	8			WASHER
5	J400 6714	4			STUD
6					BOLT
	J400 3872	2			2.5L Engine
	J943 1975	2			4.2L Engine
7	J314 2368	1			TUBE

MODEL CODES:

15 = Grand Wagoneer 4 Dr.	65 = Comanche 4WD-7 Ft. Box	77 = Cherokee 4WD-2 Dr.
25 = J-10 Pickup-119" W.B.	66 = Comanche 2WD-7 Ft. Box	78 = Cherokee 4WD-4 Dr.
26 = J-10 Pickup-131" W.B.	73 = Cherokee 2WD-2 Dr.	79 = Cherokee 4WD-4 Dr.-Com
27 = J-20 Pickup-131" W.B.	74 = Cherokee 2WD-4 Dr.	81 = Wrangler-93" W.B.
63 = Comanche 4WD-6 Ft. Box	75 = Wagoneer 4WD-4 Dr.	82 = Wrangler-103" W.B.-Exp.
64 = Comanche 2WD-6 Ft. Box		

BODY STYLES:

MJ = Comanche Pickup
SJ = Grand Wagoneer Wgn., J-10 & J-20 Pickups
XJ = Cherokee, Wagoneer Limited
YJ = Wrangler

AR = Use as Required - = Non Illustrated Part P.A.R. = Paint as Required