

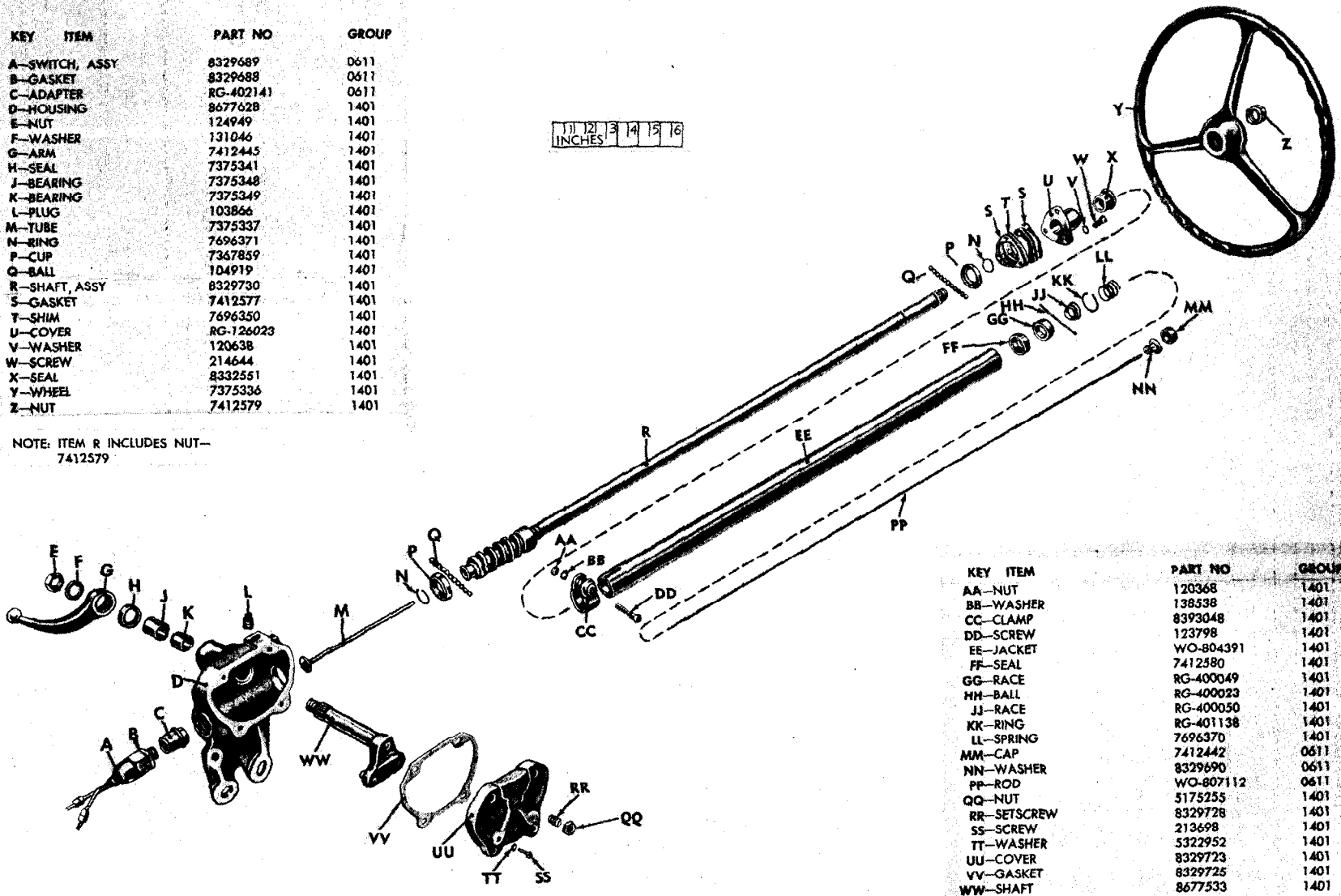
RA PD 181654

Figure 14-1. Steering gear, assy (8332549)

KEY	ITEM	PART NO	GROUP
A	SWITCH, ASSY	8329689	0611
B	GASKET	8329688	0611
C	ADAPTER	RG-402141	0611
D	HOUSING	8677628	1401
E	NUT	124949	1401
F	WASHER	131046	1401
G	ARM	7412445	1401
H	SEAL	7375341	1401
J	BEARING	7375348	1401
K	BEARING	7375349	1401
L	PLUG	103866	1401
M	TUBE	7375337	1401
N	RING	7696371	1401
P	CUP	7367859	1401
Q	BALL	104919	1401
R	SHAFT, ASSY	8329730	1401
S	GASKET	7412577	1401
T	SHIM	7696350	1401
U	COVER	RG-126023	1401
V	WASHER	120638	1401
W	SCREW	214644	1401
X	SEAL	8332551	1401
Y	WHEEL	7375336	1401
Z	NUT	7412579	1401

NOTE: ITEM R INCLUDES NUT—
7412579

1 1/16 1/8 3/16 1/4 5/16 3/8
INCHES



KEY	ITEM	PART NO	GROUP
AA	NUT	120368	1401
BB	WASHER	138538	1401
CC	CLAMP	8393048	1401
DD	SCREW	123798	1401
EE	JACKET	WO-804391	1401
FF	SEAL	7412580	1401
GG	RACE	RG-400049	1401
HH	BALL	RG-400023	1401
JJ	RACE	RG-400050	1401
KK	RING	RG-401138	1401
LL	SPRING	7696370	1401
MM	CAP	7412442	0611
NN	WASHER	8329690	0611
PP	ROD	WO-807112	0611
QQ	NUT	5175235	1401
RR	SETScrew	8329728	1401
SS	SCREW	213698	1401
TT	WASHER	5322952	1401
UU	COVER	8329723	1401
VV	GASKET	8329725	1401
WW	SHAFT	8677533	1401

RA PD 367245

Figure 14-2. Steering gear and related parts—exploded view